

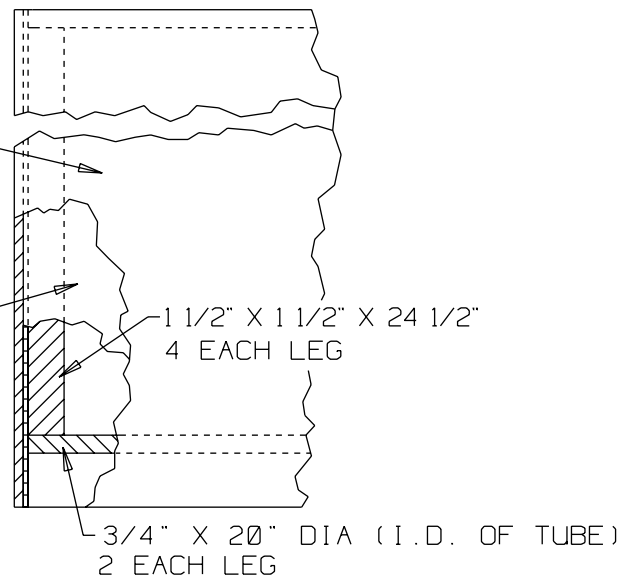
TAMBOUR  
 64 1/8" LONG  
 28 1/4" WIDE  
 1 EACH LEG

TO ORDER CALL:  
 OUTWATER PLASTICS/IND.  
 4 PASSAIC ST.  
 WOOD-RIDGE, NJ 07075  
 1-800-543-3217

COLUMN TUBE  
 20" DIA ID  
 28 1/4" LONG  
 1 EACH LEG

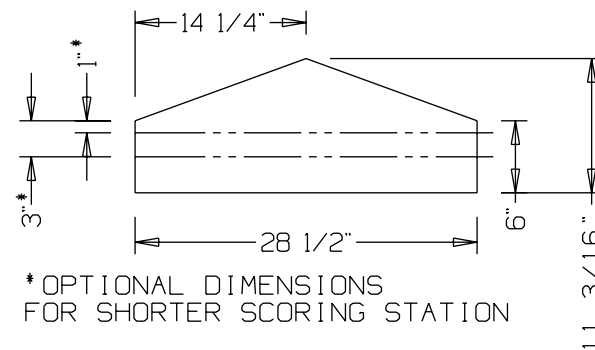
CALL FOR DISTRIBUTOR INFO.:  
 JEFFERSON-SMURFITT MFG. CO.  
 1-800-343-4616

OR  
 SONOCO MFG. CO.  
 1-800-532-8248



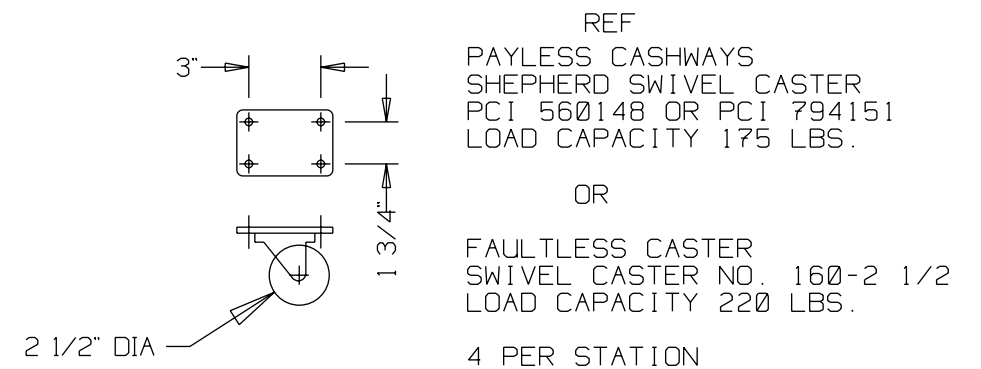
DETAIL A

SCORING SURFACE  
 SUPPORT



\*OPTIONAL DIMENSIONS  
 FOR SHORTER SCORING STATION

DETAIL B

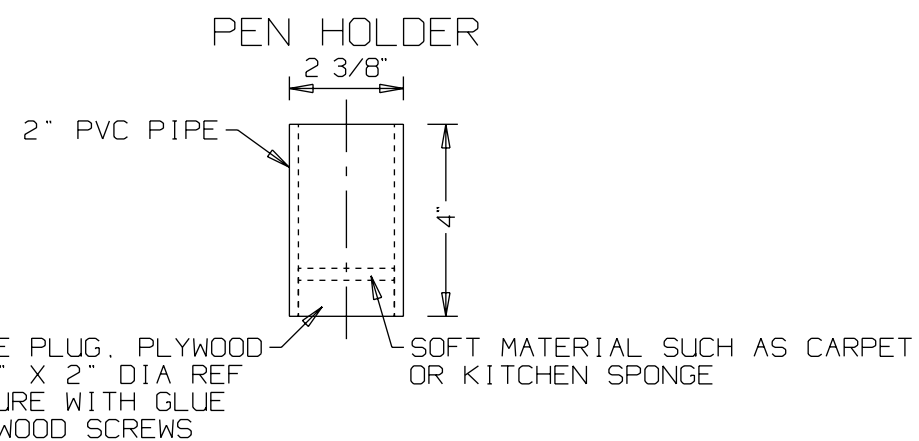


REF  
 PAYLESS CASHWAYS  
 SHEPHERD SWIVEL CASTER  
 PCI 560148 OR PCI 794151  
 LOAD CAPACITY 175 LBS.

OR  
 FAULTLESS CASTER  
 SWIVEL CASTER NO. 160-2 1/2  
 LOAD CAPACITY 220 LBS.

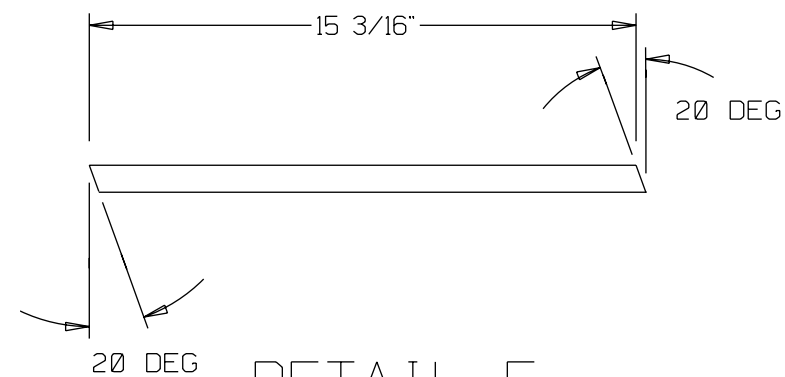
4 PER STATION

DETAIL C



DETAIL D

DETAIL OF CUTS  
 FOR SCORING STATION  
 SURFACE



DETAIL E

© 1995 Accelerated Christian Education, Inc.  
 All rights reserved. Printed in the United States of America.  
 This publication may not be reproduced in whole or in part  
 in any form or by any means without permission from  
 Accelerated Christian Education, Inc.

**ACCELERATED CHRISTIAN EDUCATION**  
 OPTIONAL SCORING STATION  
 DETAIL DRAWINGS

DWG. NO. 0009	REV. 950316-0	SHEET 3 OF 3
------------------	------------------	-----------------