

NOTE: OMIT 6" RAD FOR UNITS WITH CARPET ON DIVIDERS

FLEXIBLE TEE MOULDING POLYETHYLENE
 105-1316 (1 3/16" WIDE)
 OUTWATER PLASTICS/INDUSTRIES, INC.
 4 PASSAIC STREET
 WOOD-RIDGE, NJ 07075
 1-800-543-3217

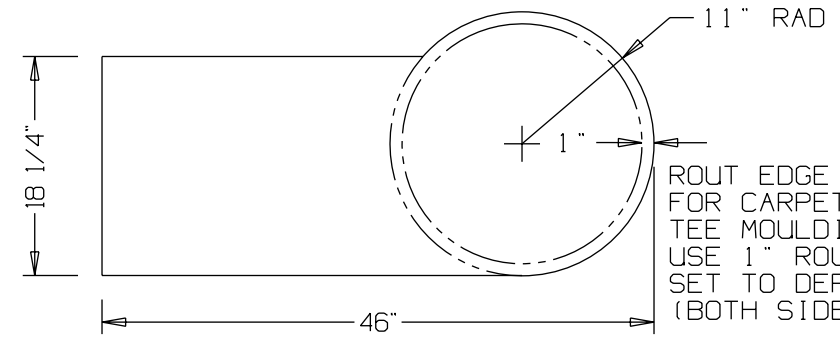
CENTER SLOT FOR TEE MOULDING INSTALLATION
 CUT 3/32" WIDE X 3/8" MIN DEPTH

CARPET (BOTH SIDES)
 1/4" THK X 22" DIA

NOTE: USE MULTIPURPOSE GLUE
 SUCH AS LIQUID NAILS®
 TO BOND CARPET
 & MOULDING

DETAIL A

3/4"



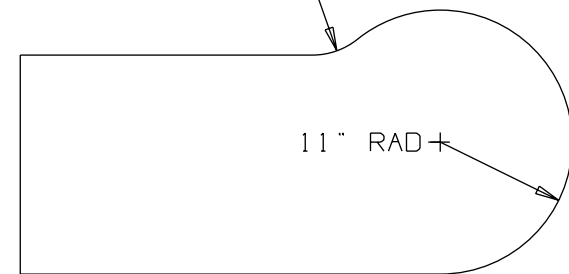
ROUT EDGE IF NECESSARY
 FOR CARPET TO FIT
 TEE MOULDING.
 USE 1" ROUTER BLADE
 SET TO DEPTH NEEDED.
 (BOTH SIDES)

DETAIL B

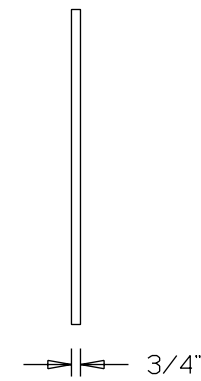
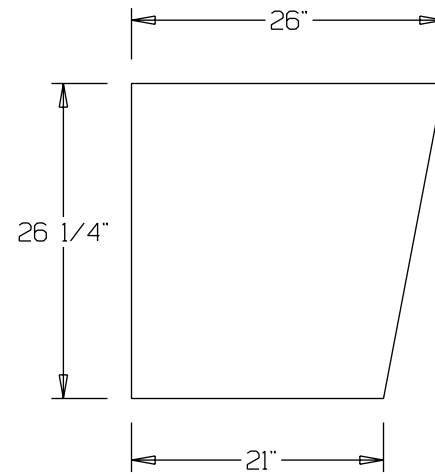
OPTIONAL DIVIDER
 WITHOUT CARPET

6" FILLET RAD

11" RAD



DETAIL C



DETAIL D

© 1995 Accelerated Christian Education, Inc.
 All rights reserved. Printed in the United States of America.
 This publication may not be reproduced in whole or in part
 in any form or by any means without permission from
 Accelerated Christian Education, Inc.

ACCELERATED CHRISTIAN EDUCATION
 OPTIONAL STUDENT OFFICE
 DETAIL DRAWINGS

DWG. NO. 0008	REV. 950331-0	SHEET 3 OF 4
------------------	------------------	-----------------