

NOTE: OMIT 6" RAD FOR UNITS WITH CARPET ON DIVIDERS

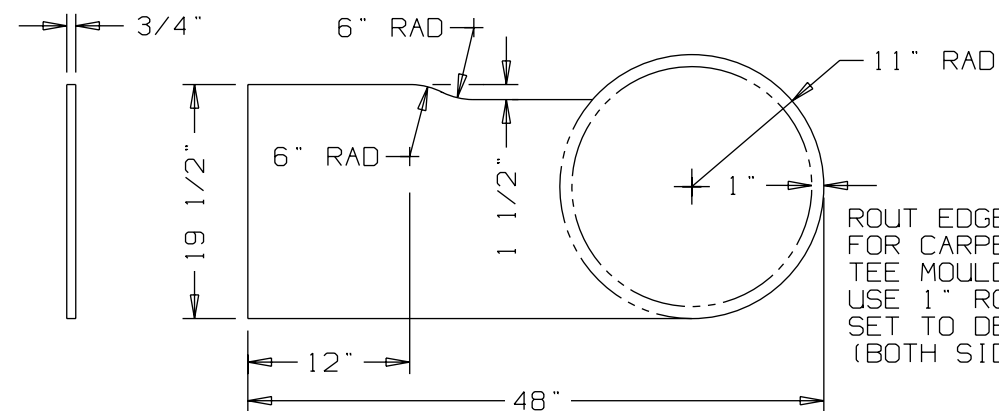
FLEXIBLE TEE MOULDING POLYETHYLENE
105-1316 (1 3/16" WIDE)
OUTWATER PLASTICS/INDUSTRIES, INC.
4 PASSAIC STREET
WOOD-RIDGE, NJ 07075
1-800-543-3217

CENTER SLOT FOR TEE MOULDING INSTALLATION
CUT 3/32" WIDE X 3/8" MIN DEPTH

CARPET (BOTH SIDES)
1/4" THK X 22" DIA

NOTE: USE MULTIPURPOSE GLUE
SUCH AS LIQUID NAILS®
TO BOND CARPET
& MOULDING

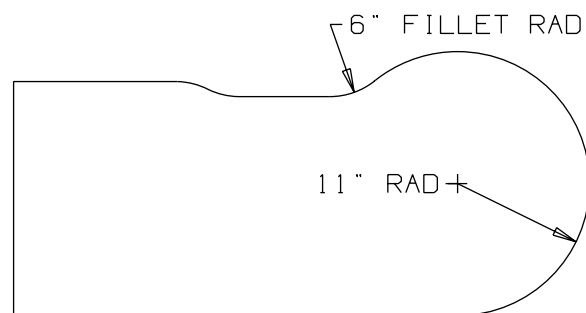
DETAIL A



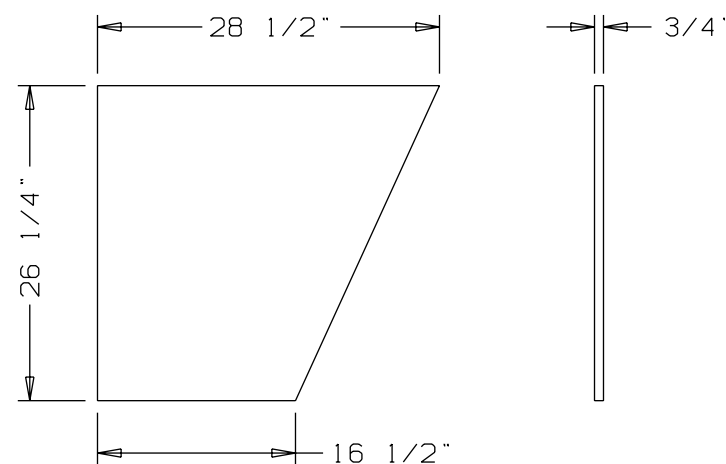
ROUT EDGE IF NECESSARY
FOR CARPET TO FIT
TEE MOULDING.
USE 1" ROUTER BLADE
SET TO DEPTH NEEDED.
(BOTH SIDES)

DETAIL B

OPTIONAL DIVIDER
WITHOUT CARPET



DETAIL C



DETAIL D

© 1995 Accelerated Christian Education, Inc.
All rights reserved. Printed in the United States of America.
This publication may not be reproduced in whole or in part
in any form or by any means without permission from
Accelerated Christian Education, Inc.

ACCELERATED CHRISTIAN EDUCATION
OPTIONAL COMPUTER OFFICE
DETAIL DRAWINGS

DWG. NO. 0007	REV. 950331-0	SHEET 3 OF 4
------------------	------------------	-----------------