

DETAIL OF DRAWER

DETAIL OF DRAWER FRONT

DRAWER BACK  
1/2" X 3 3/8" X 12 1/2"  
SEE NOTE

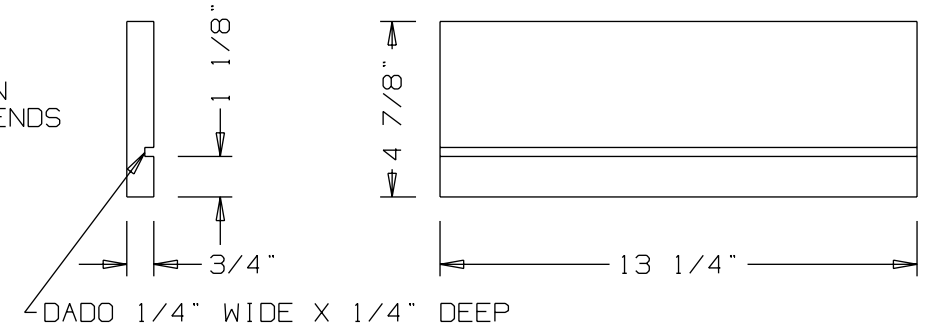
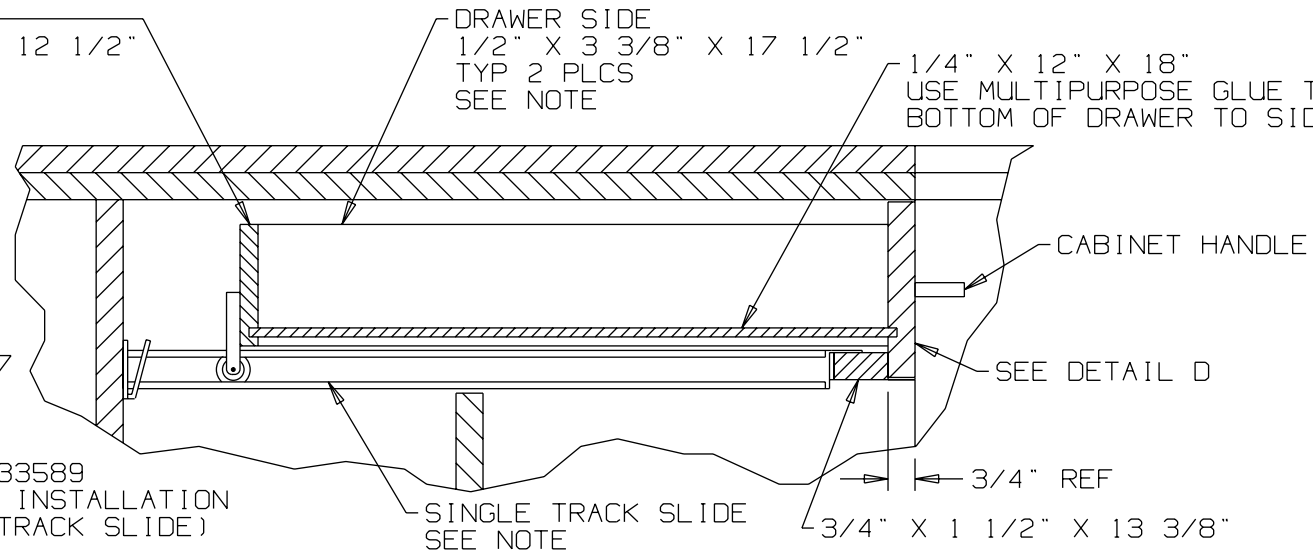
DRAWER SIDE  
1/2" X 3 3/8" X 17 1/2"  
TYP 2 PLCS  
SEE NOTE

1/4" X 12" X 18"  
USE MULTIPURPOSE GLUE TO JOIN  
BOTTOM OF DRAWER TO SIDES & ENDS

NOTE: DRAWER SIDES, BACK AND  
TRACK SHOWN MAY BE  
PURCHASED FROM THE  
WOOD WORKERS' STORE  
21801 INDUSTRIAL BLVD.  
ROGERS, MN 55374-9514  
1-800-279-4441

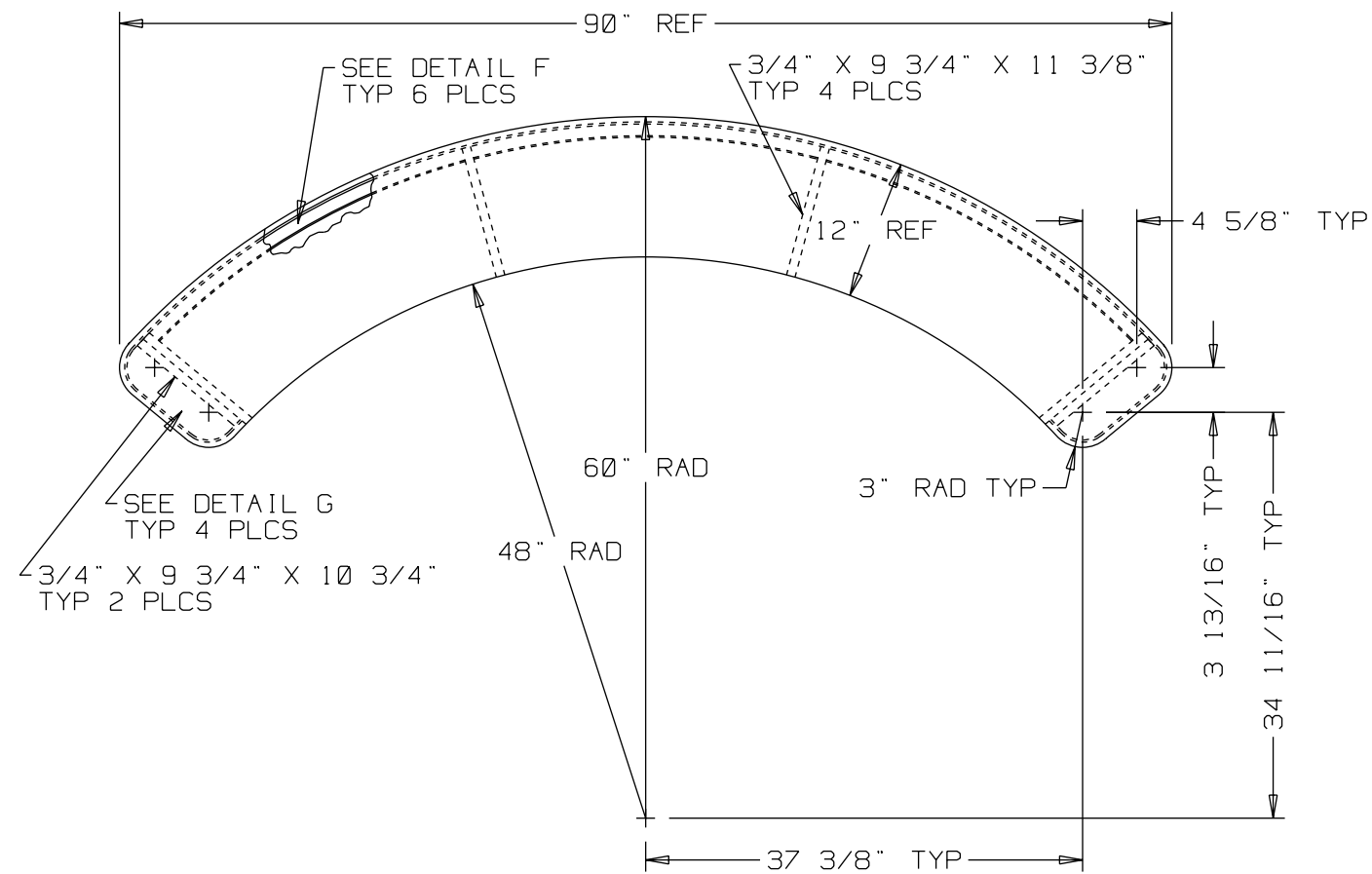
DRAWER SIDE--ITEM #12237  
OR EQUIVALENT (4 FOOT  
LENGTHS)

TRACK & ROLLERS--ITEM #33589  
OR EQUIVALENT (COMPLETE INSTALLATION  
INSTRUCTIONS COME WITH TRACK SLIDE)

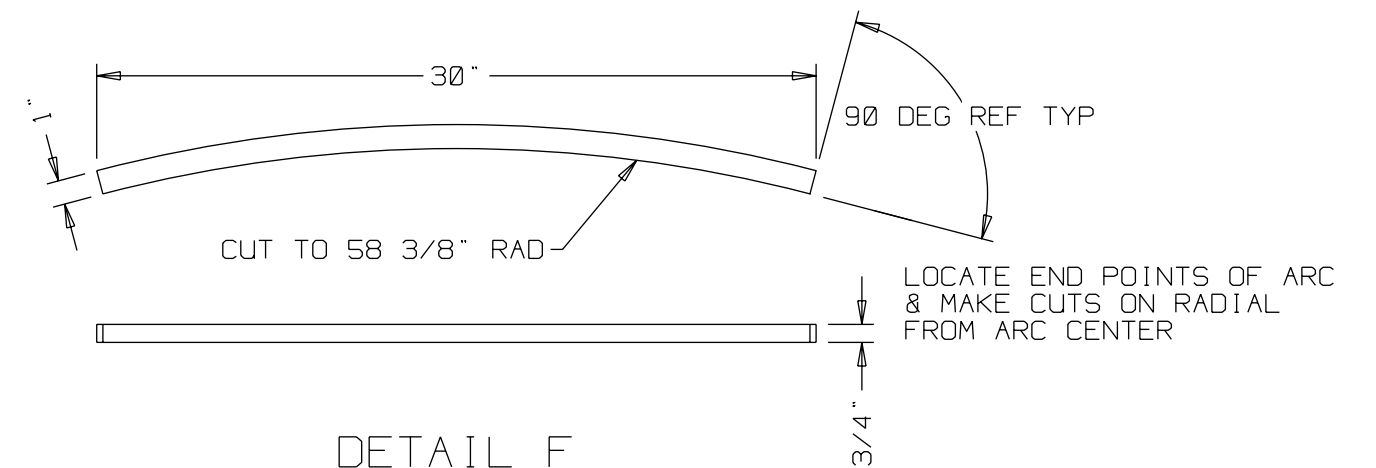


DETAIL D

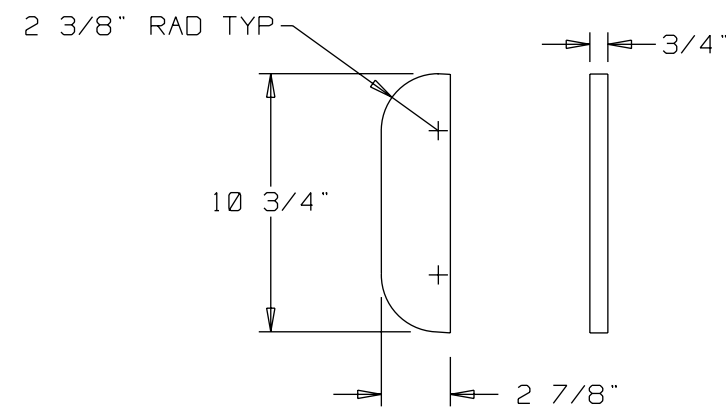
SECTION A-A



DETAIL E



DETAIL F



DETAIL G

© 1995 Accelerated Christian Education, Inc.  
All rights reserved. Printed in the United States of America.  
This publication may not be reproduced in whole or in part  
in any form or by any means without permission from  
Accelerated Christian Education, Inc.

**ACCELERATED CHRISTIAN EDUCATION**  
SUPERVISOR'S STATION  
DETAIL DRAWINGS

DWG. NO. 0006	REV. 950316-0	SHEET 3 OF 5
------------------	------------------	-----------------