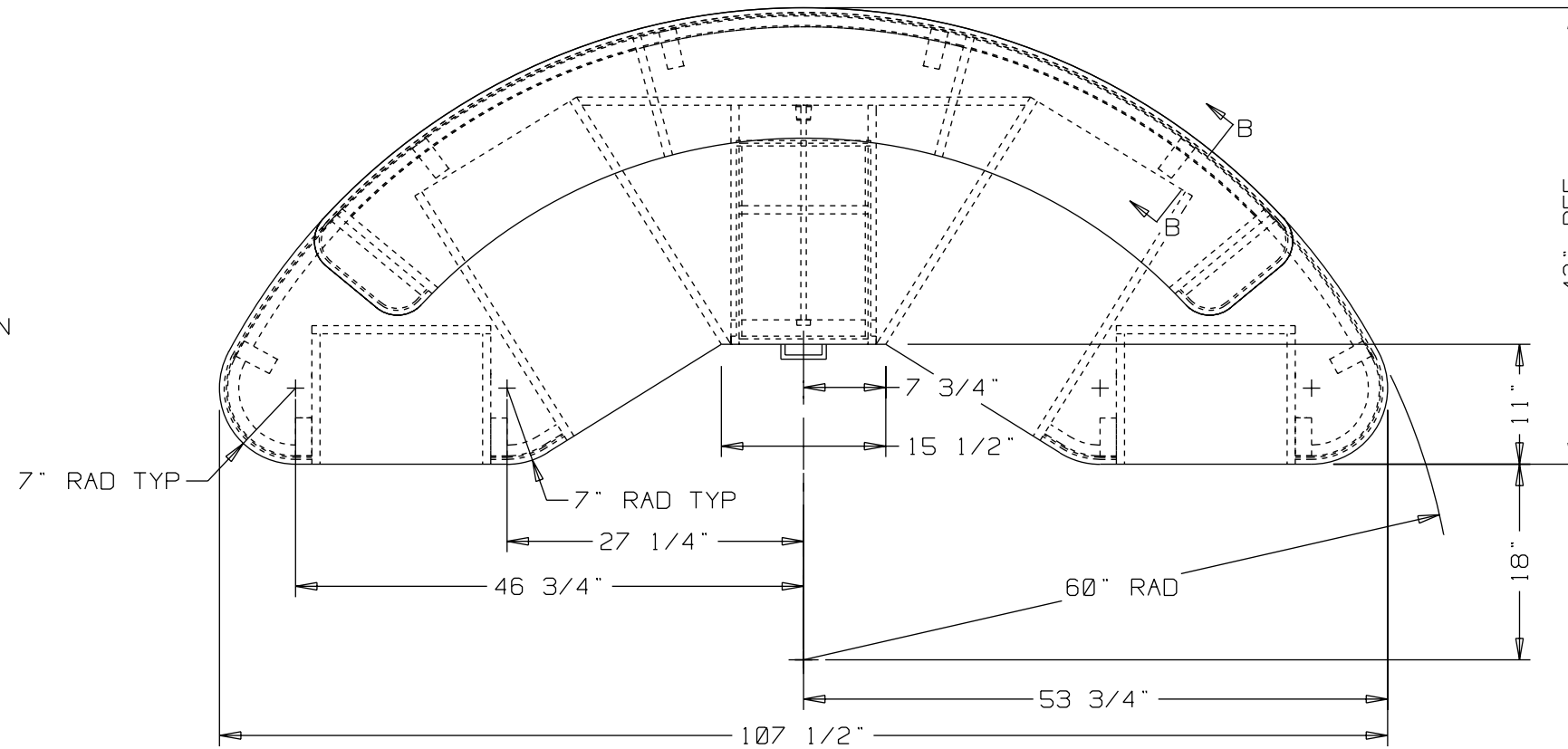
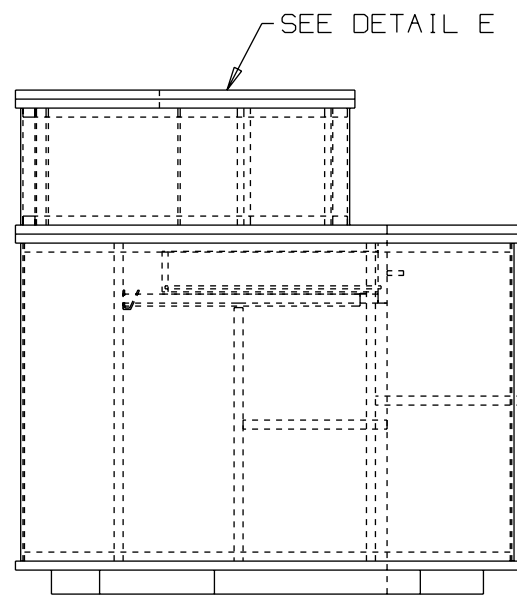


NOTES: UNLESS OTHERWISE SPECIFIED,
FASTEN ALL PARTS WITH
1 1/4" DRYWALL SCREWS

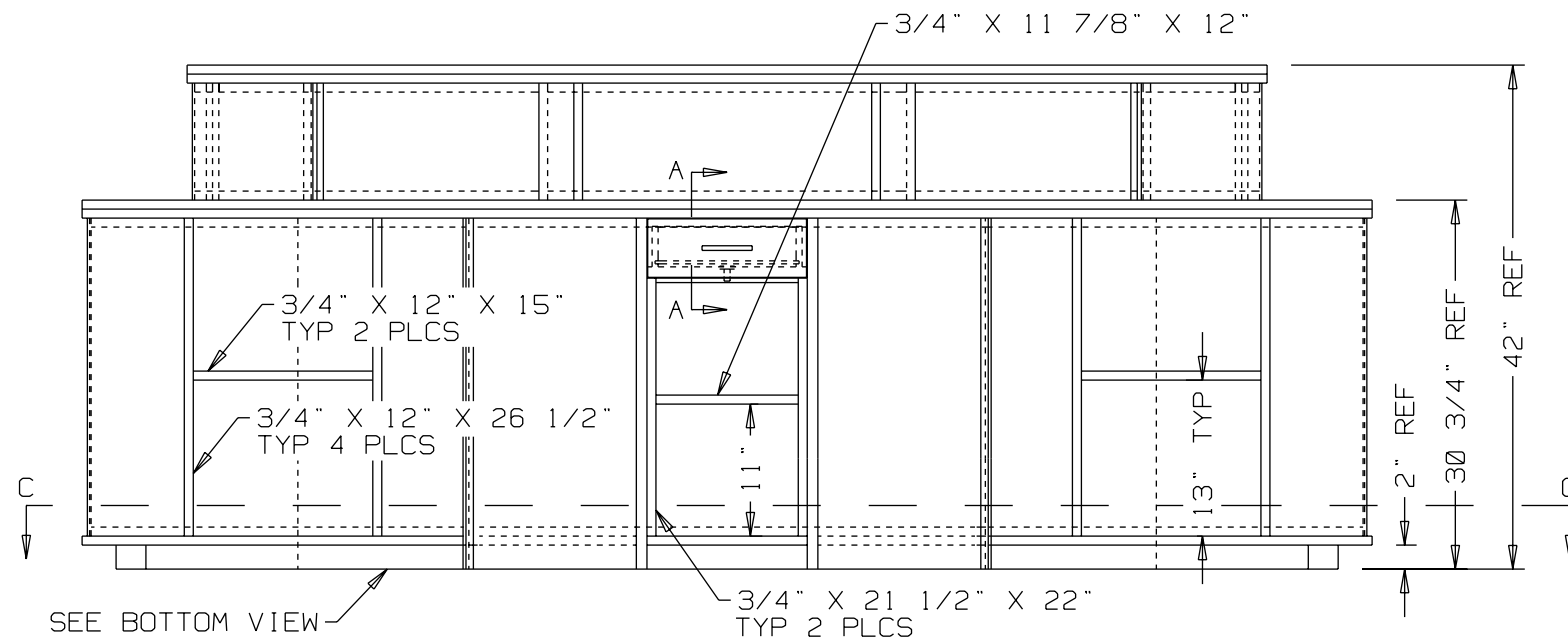
MULTIPURPOSE GLUE SUCH AS
LIQUID NAILS® MAY BE USED ON
ALL JOINTS



TOP VIEW



END VIEW



FRONT VIEW

SEE BOTTOM VIEW

© 1995 Accelerated Christian Education, Inc.
All rights reserved. Printed in the United States of America.
This publication may not be reproduced in whole or in part
in any form or by any means without permission from
Accelerated Christian Education, Inc.

ACCELERATED CHRISTIAN EDUCATION
SUPERVISOR'S STATION

DWG. NO. 0006	REV. 950316-0	SHEET 2 OF 5
------------------	------------------	-----------------