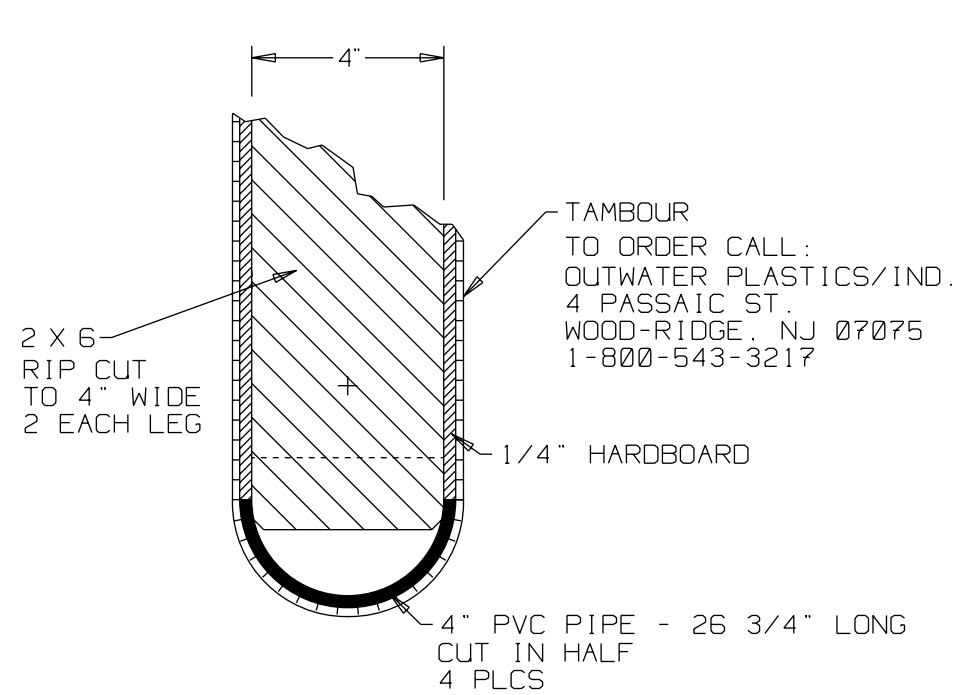
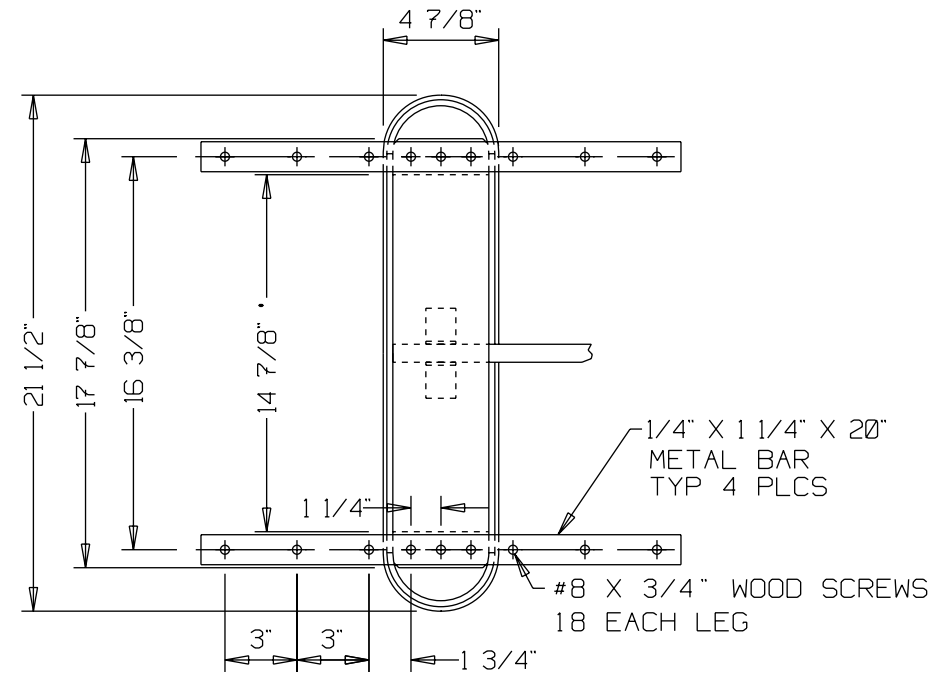


DETAIL OF LEG ASSEMBLY

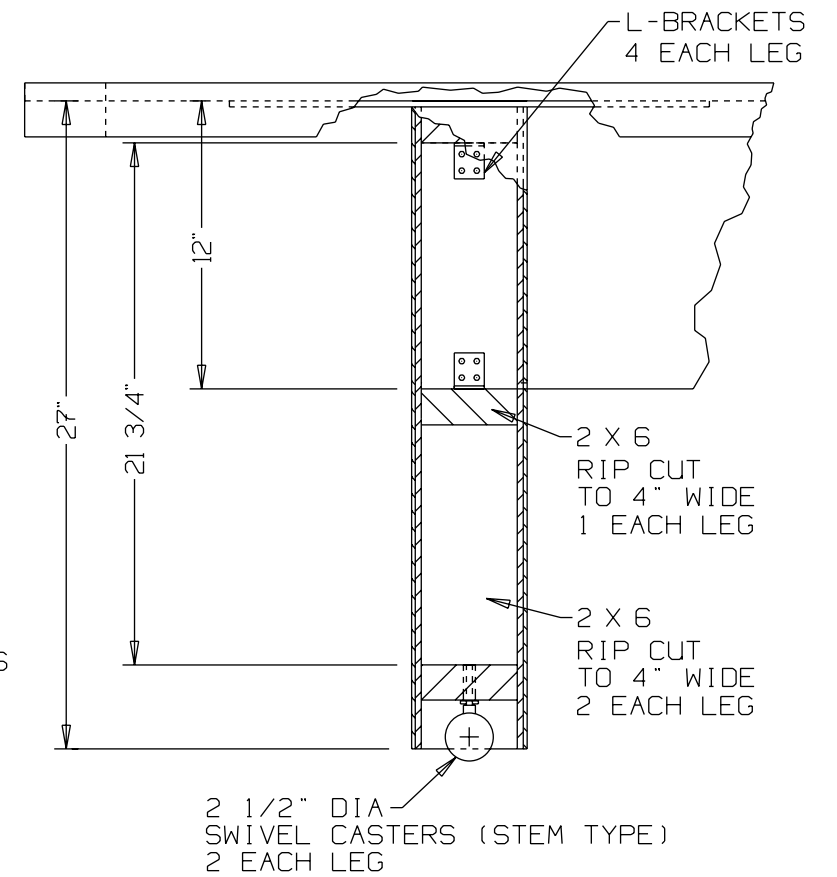


SECTION A-A

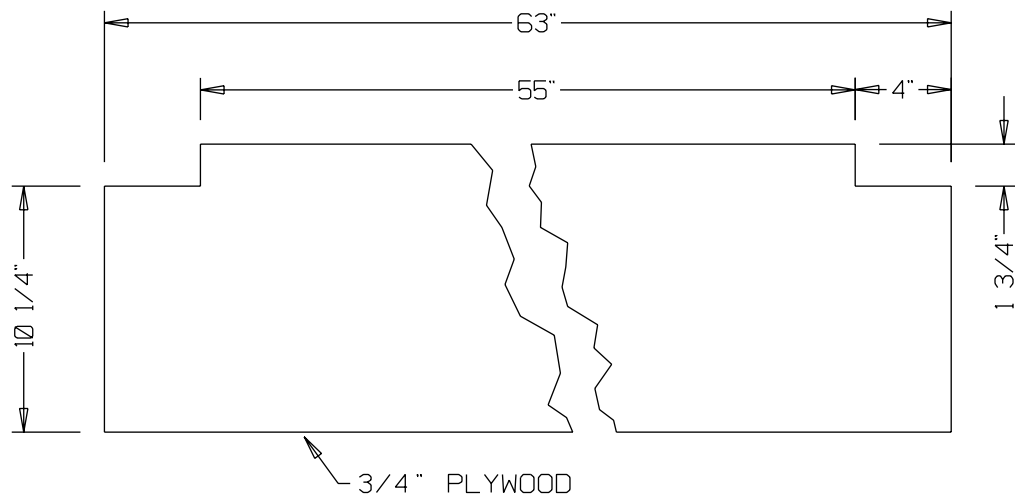
DETAIL OF LEG MOUNTING



DETAIL B



DETAIL C



DETAIL D

© 1995 Accelerated Christian Education, Inc.
All rights reserved. Printed in the United States of America.
This publication may not be reproduced in whole or in part
in any form or by any means without permission from
Accelerated Christian Education, Inc.

ACCELERATED CHRISTIAN EDUCATION
TESTING TABLE
DETAIL DRAWINGS

DWG. NO. 0005	REV. 950421-0	SHEET 3 OF 3
------------------	------------------	-----------------