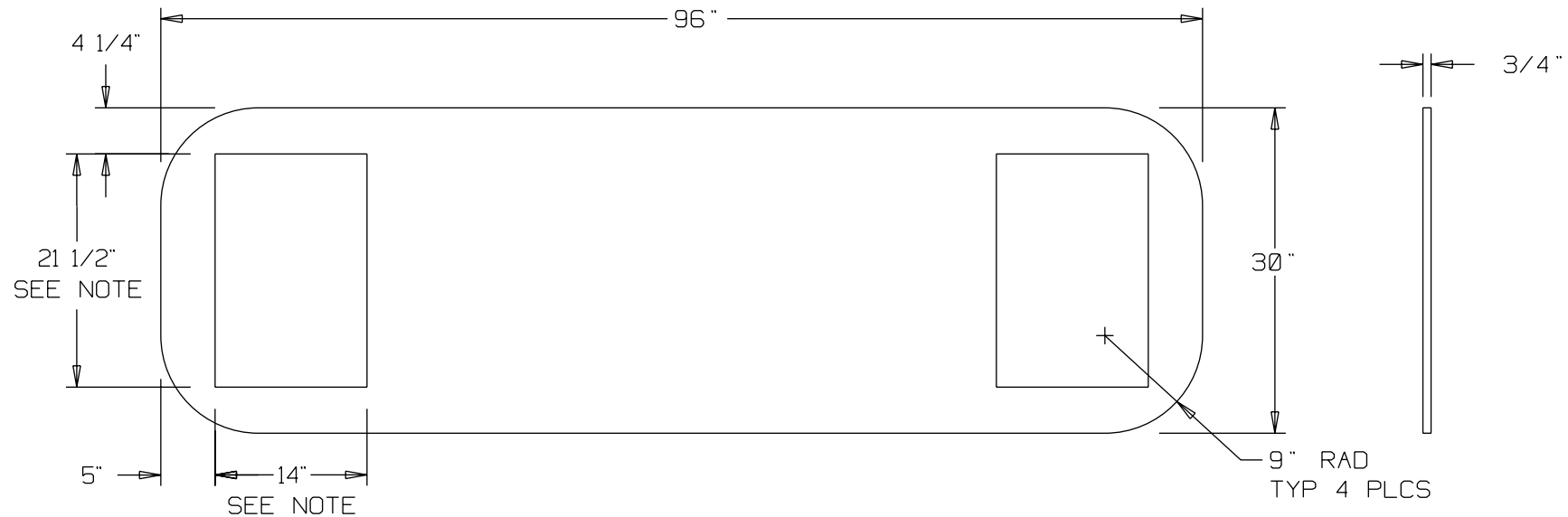
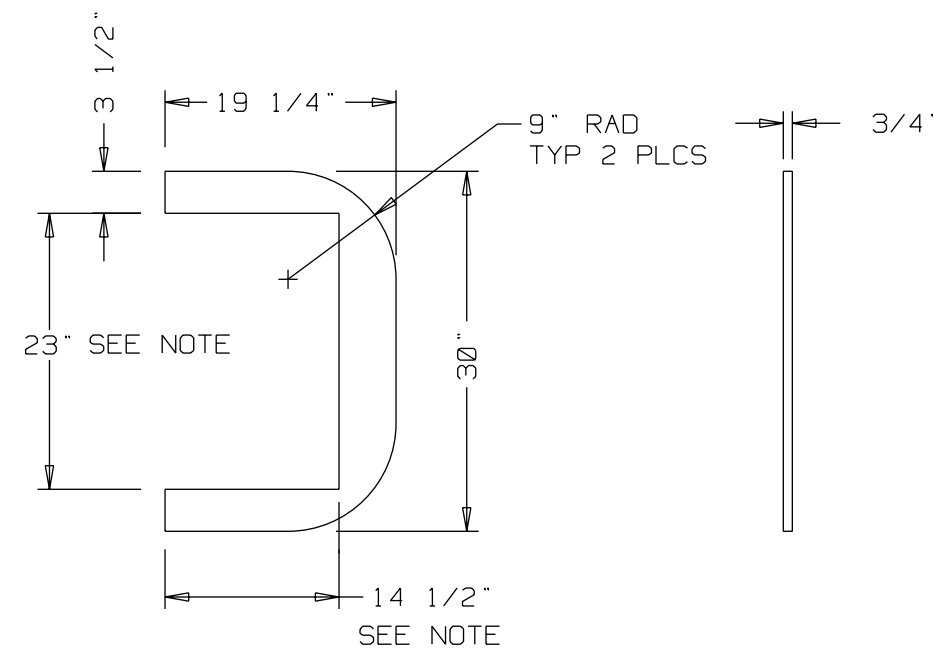


TABLE TOP

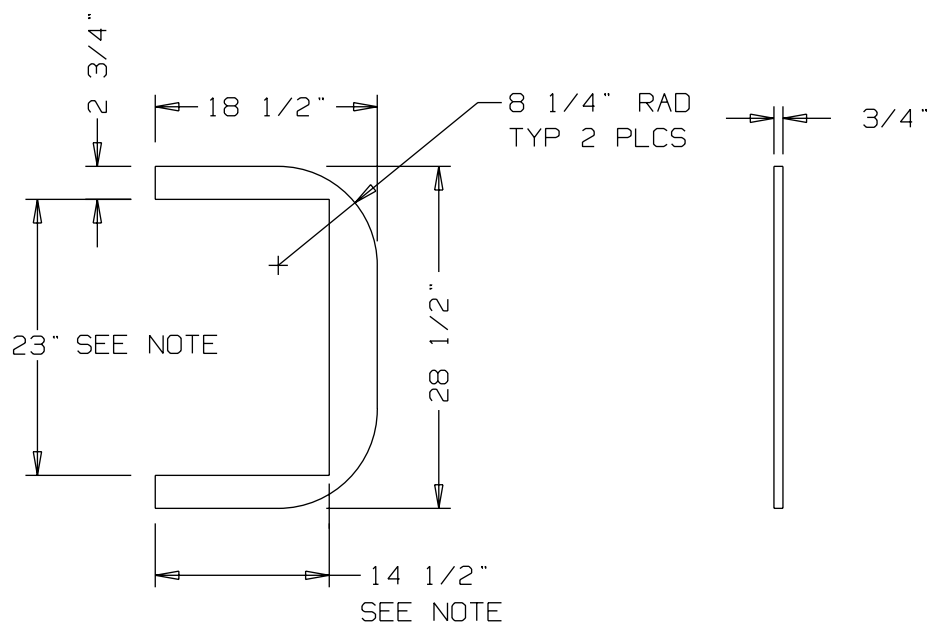


DETAIL F

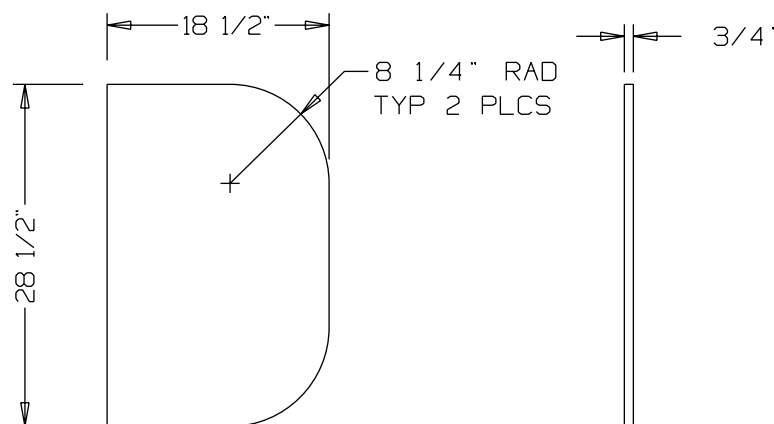


DETAIL G

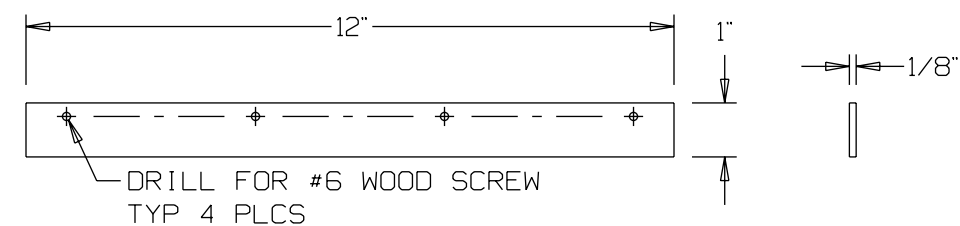
NOTE: MAKE CUTS CAREFULLY FOR A CLOSE FIT WITH SCORE KEY FILE AREA



DETAIL H



DETAIL J



DETAIL K

© 1995 Accelerated Christian Education, Inc.  
 All rights reserved. Printed in the United States of America.  
 This publication may not be reproduced in whole or in part  
 in any form or by any means without permission from  
 Accelerated Christian Education, Inc.

ACCELERATED CHRISTIAN EDUCATION  
 SCORING STATION  
 DETAIL DRAWINGS

DWG. NO. 0004	REV. 950316-0	SHEET 5 OF 5
------------------	------------------	-----------------