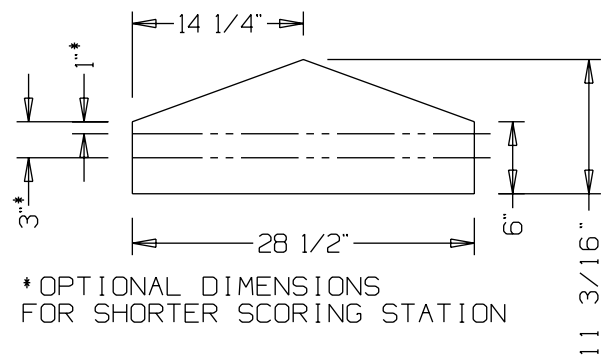
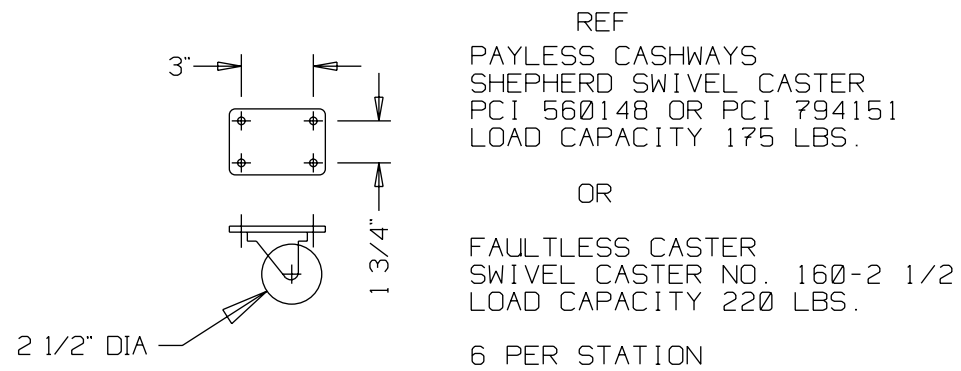


SCORING SURFACE SUPPORT

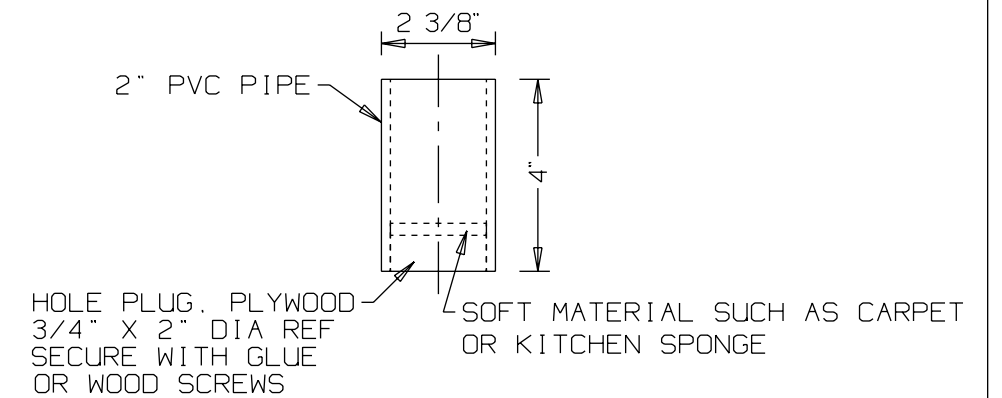


DETAIL A



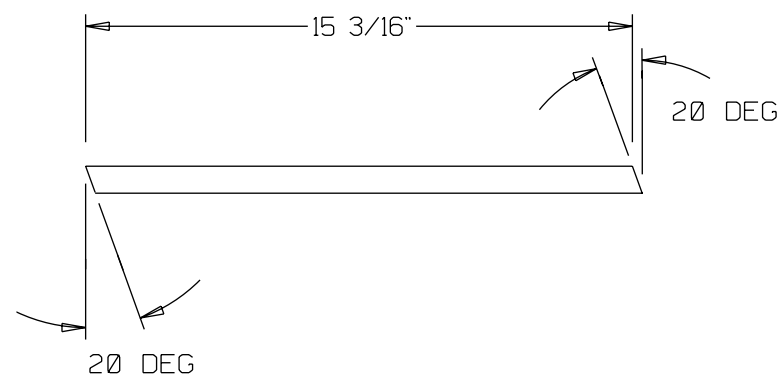
DETAIL B

PEN HOLDER



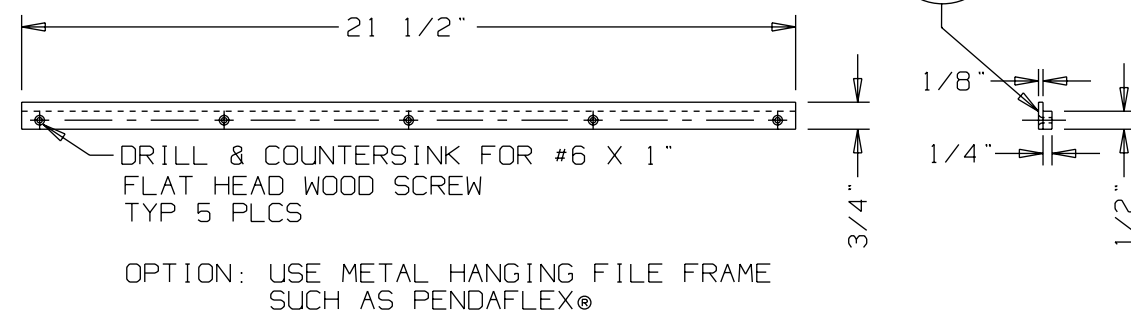
DETAIL C

DETAIL OF CUTS FOR SCORING STATION SURFACE



DETAIL D

METAL BRACKET FOR HANGING FILES



DETAIL E

<p>© 1995 Accelerated Christian Education, Inc. All rights reserved. Printed in the United States of America. This publication may not be reproduced in whole or in part in any form or by any means without permission from Accelerated Christian Education, Inc.</p>		
<p>ACCELERATED CHRISTIAN EDUCATION SCORING STATION DETAIL DRAWINGS</p>		
DWG. NO. 0004	REV. 950316-0	SHEET 4 OF 5