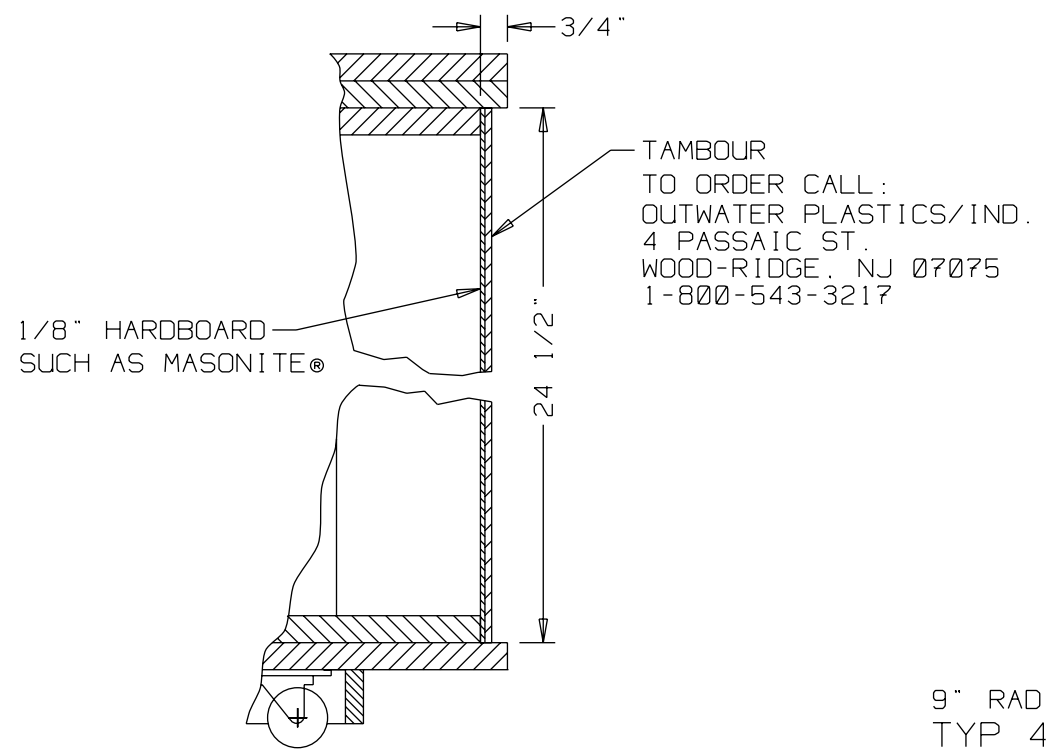
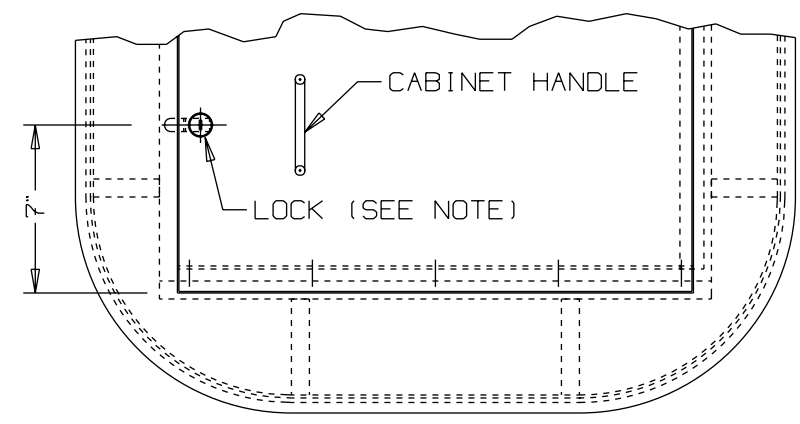


SECTION A-A

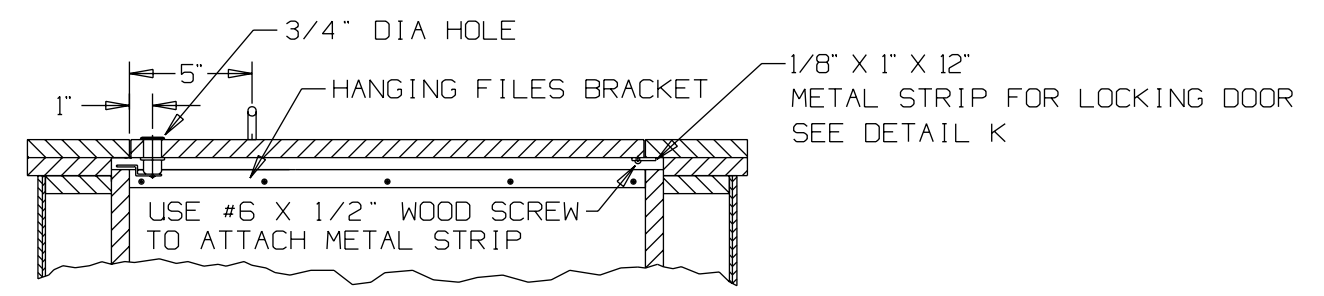


SECTION B-B

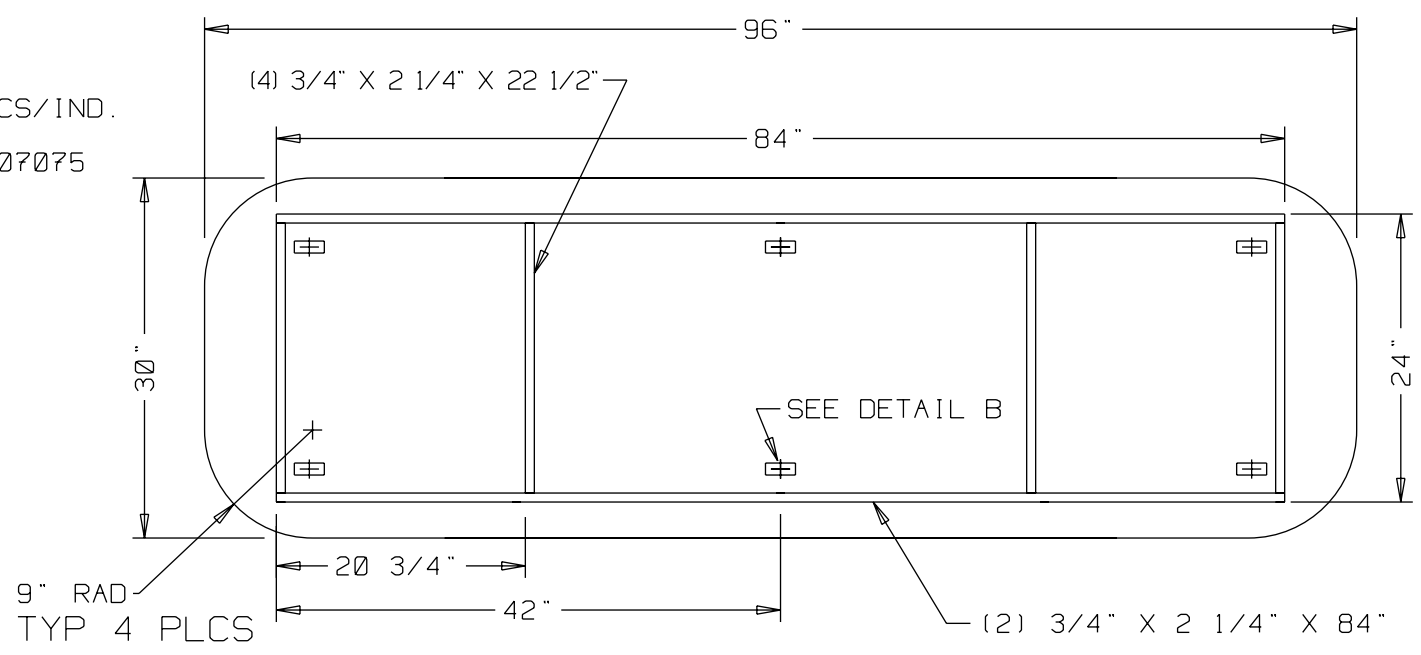
DETAIL OF DOOR LOCK & HANDLE



NOTE: DIMENSIONS FOR LOCK WILL VARY WITH THE TYPE OF LOCK USED. THIS DETAIL USES A NATIONAL CABINET LOCK, FLUSH MOUNTED, AND DOUBLE FORMED CAM FOR AN EXAMPLE.



SECTION C-C



BOTTOM VIEW (BASE)

© 1995 Accelerated Christian Education, Inc. All rights reserved. Printed in the United States of America. This publication may not be reproduced in whole or in part in any form or by any means without permission from Accelerated Christian Education, Inc.		
ACCELERATED CHRISTIAN EDUCATION SCORING STATION DETAIL DRAWINGS		
DWG. NO. 0004	REV. 950316-0	SHEET 3 OF 5