

NOTE: OMIT 6" RAD FOR UNITS WITH CARPET ON DIVIDERS

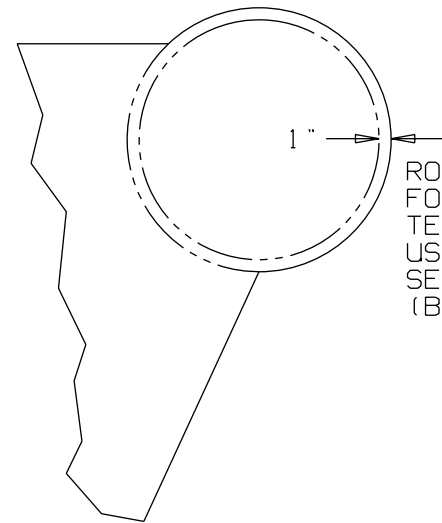
FLEXIBLE TEE MOULDING POLYETHYLENE
2493-(COLOR CODE) 1 1/4" WIDE (SEE NOTE ON SOURCE PAGE)
OUTWATER PLASTICS/INDUSTRIES, INC.
4 PASSAIC STREET
WOOD-RIDGE, NJ 07075
1-800-543-3217

CENTER SLOT FOR TEE MOULDING INSTALLATION
CUT 3/32" WIDE X 3/8" MIN DEPTH

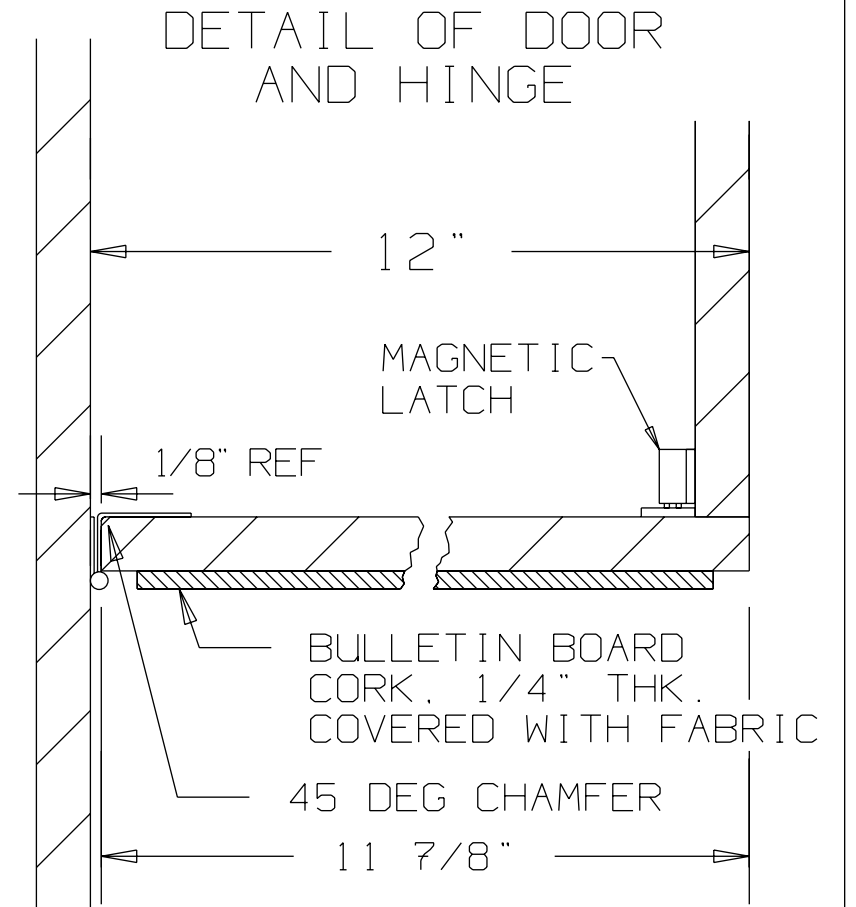
CARPET (BOTH SIDES)
1/4" THK X 22" DIA

NOTE: USE MULTIPURPOSE GLUE
SUCH AS LIQUID NAILS®
TO BOND CARPET
& MOULDING

DETAIL A

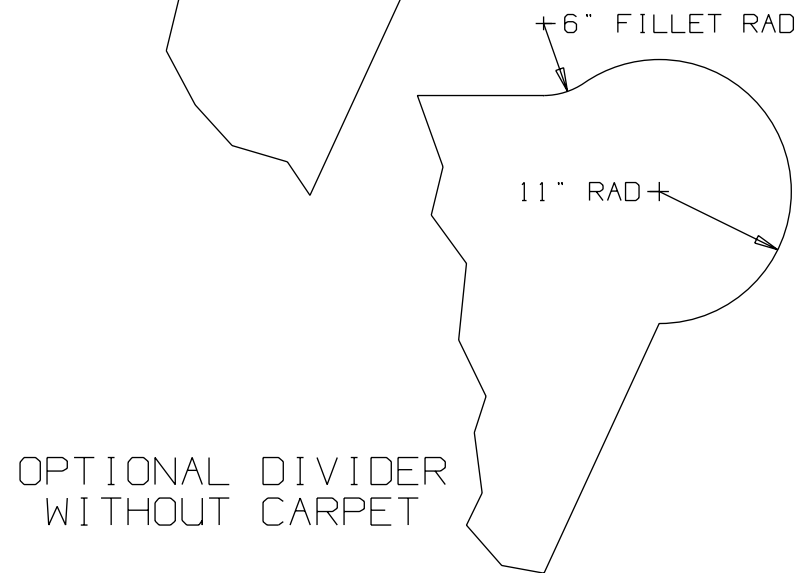


DETAIL B

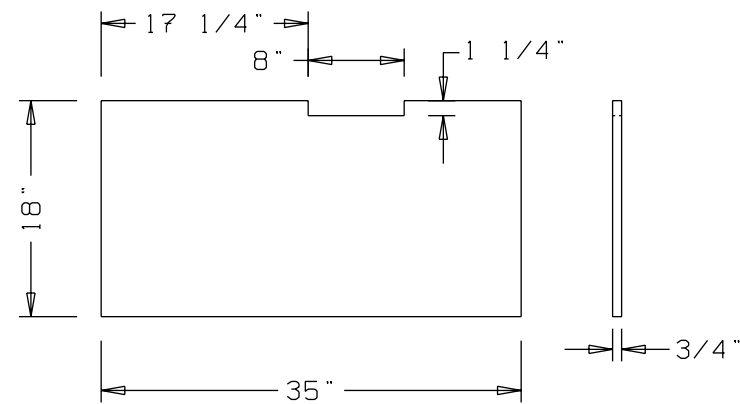


NOTE: CABINET HINGE SUCH AS AMEROCK® #BP5988-M3

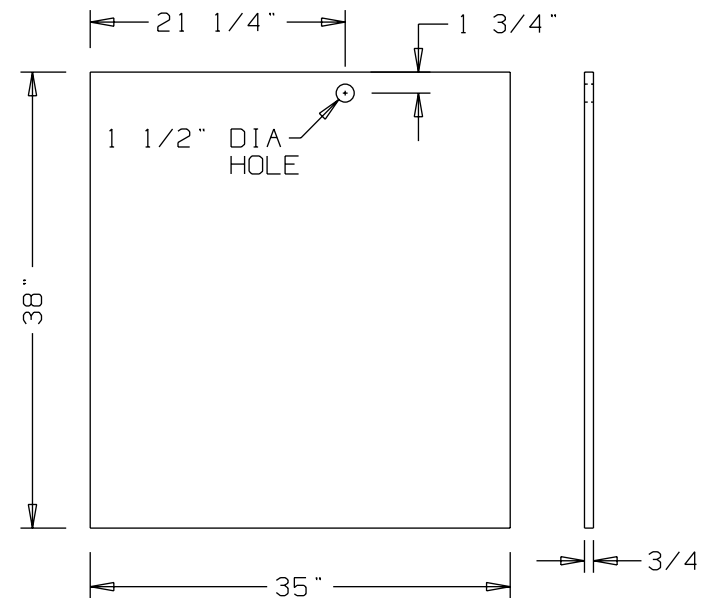
DETAIL F



DETAIL C



DETAIL D



DETAIL E

<p>© 1995 Accelerated Christian Education, Inc. All rights reserved. Printed in the United States of America. This publication may not be reproduced in whole or in part in any form or by any means without permission from Accelerated Christian Education, Inc.</p>		
<p>ACCELERATED CHRISTIAN EDUCATION COMPUTER OFFICE DETAIL DRAWINGS</p>		
DWG. NO. 0002	REV. 950424-0	SHEET 4 OF 4